

Designed for Fast Production

The New ICS4_5 and ICS685



Designed to Fit

Are you looking for a compact scale that fits into your industrial environment? If so, the new rugged aluminum die-cast scales are the right choice for you. Benefit from a wide range of applications, designs, various integration options and user-friendly handling.



Highest Performance

Increase your productivity by minimizing overfilling, avoiding underfilling and detecting incorrect parts. The ICS compact scales feature high performance weighing technology delivering accurate results fast. Benefit from up to four scale connections extending the capacity range and resulting in more accurate piece counting.



Easy Operation

Weighing, counting or checkweighing are labor-intensive applications. Having various different people involved in a process often leads to mistakes which cost you time and money. The new smart scales are simple to operate, feature intuitive straight-forward menus, colored display and user prompting in various languages.



Broad Connectivity

Profit from fast data handling, efficient printing as well as from various options for seamless integration into existing systems. Manage data in the scale's internal database, comfortably monitor data on a PC or export it with a USB stick.



Speed Up Your Production Processes

The new compact scales line: ICS425 – ICS435 – ICS445 – ICS465 and ICS685 offers you seamless integration into your production process as your scale can be individually configured for fast and precise operations – exactly according to your needs.

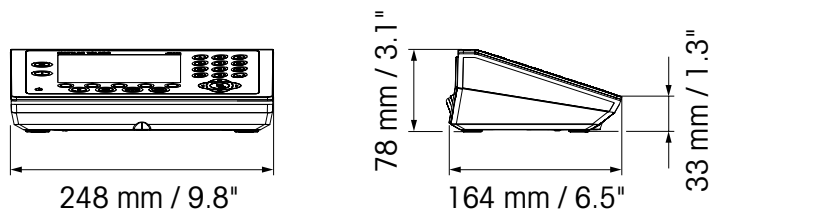
The scales feature different applications used in the manufacturing industries:

- Simple weighing
- Counting
- Totalizing
- Checkweighing
- Portioning, filling

Terminals

	ICS425	ICS435	ICS445	ICS465	ICS685
Dimension & Type	248.5x164x78 mm / 9.78x6.46x3.71" Die-cast aluminium				
Display	LCD liquid crystal graphical display with backlighting				color TFT display (320 x 240 pixel) with colorWeight®
Character height	Default layout mode = 20 mm, 3-line info mode = 15 mm				
Languages	English, German, French, Italian, Spanish, Chinese				
Keypad	Tactile-touch membrane keypad (PET), scratch-resistant material				
Numeric keypad	No	Yes	No	Yes	Alphanumeric keypad
Weight	2 kg				
Mains connection	100 – 240 V / 50 – 60 Hz / 300 mA, Power cord approx. 2.5 m				
Optional battery	12 V / 2.5 A 1 strain gauge weighing cell continuous operation ~ 15 h (less with installed options) 4 strain gauge weighing cells continuous operation ~ 12 h (less with installed options) Life time: 500 to 1000 charging/discharging cycles				
Temperature range	Class III -10 – 40 °C / 14 – 104 °F Class II 10 – 30 °C / 50 – 86 °F				
Humidity	Max. rel. humidity 85 % for temperatures up to 40 °C				
Data interfaces	1 x Standard RS232 1 x Optional*				2 x Standard RS232 2 x Optional*
	*Choose from the following interfaces: RS232, RS422/485, USB device/host, Ethernet, WLAN, Digital I/O, digital or analog 2nd scale				
Connectable platforms	1 scale can be connected all analogue & SICS platforms		2 scales can be connected all analog & SICS platforms		4 scales can be connected (maximum 2 analog platforms)
Analog scale connection	Impedance: ≥ 80 Ω (means 1 x 350 Ω; 4 x 350 Ω), Excitation: 3.3 V, Sensitivity: 2 to 3 mV/V Max. Resolution: 7500e (OIML), 300 000d (non approvable), Min. verification interval: 0.5 µV/e				
Approvals	The Weights & Measures data is shown on the display. The display indicates if the system is approved or not. Approvals are: OIML, NTEP, IP65, CE, CSA				
Application/Features	Basic weighing, Average weighing / Date & Time and Printing Counting, Alibi / Transaction Memory, Softkeys and User Prompting Over / Under Checkweighing, Portioning, Totalizing, Statistics, Scale embedded database (up to 100 articles) Filling, Totalizing to a target, User Management, Database (up to 30 000 articles), Configuration & Database Software				
Accessories	Cable with plugs for offered interfaces, Stand (height 330 mm), Wall bracket, Windshield, Printers (Sprinter; P25; P26), Cover for terminal, Battery charger, Auxiliary display, Relay box Power supply with 9-28V DC				

Terminal Dimensions



Compact Scales

For highest precision: MonoBloc® technology

- Approved resolution of 61 000e OIML
- Non-approved resolution up to 610 000d
- Fully Automated Calibration Technology (FACT) function calibrates the scale according to temperature changes and increases accuracy of weighing results

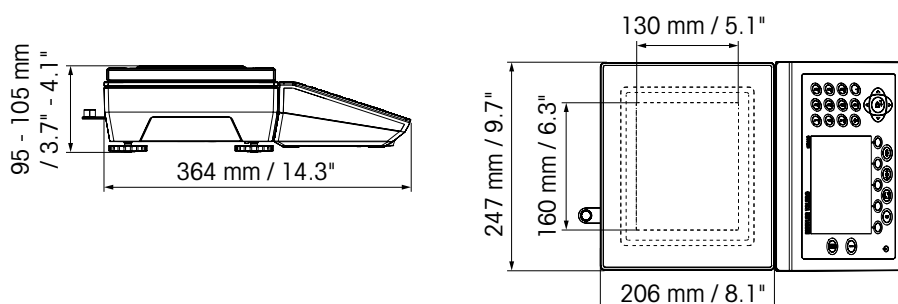
ICS425k-/ICS435k-/ICS445k-/ICS465k-/ICS685k-						
Model (Single Range)	0.6XS/f	3XS/f	6XS/f	6SM/f	15LA/f	35LA/f
Capacity [kg]	0.6	3	6	6	15	35
Standard readability [g]	0.001	0.01	0.01	0.1	0.1	0.1
Approved readability [g]	0.01	0.1	0.1	1	1	1
Model (Delta Range)	0.6XS / DR / f	3SX / DR / f	6XS / DR / f	6SM / DR / f	15LA / DR / f	35LA / DR / f
Capacity [kg]	0.12 / 0.6	0.6 / 3	1.2 / 6	1.2 / 6	3 / 15	7 / 35
Standard readability [g]	0.001 / 0.01	0.01 / 0.1	0.01 / 0.1	0.1 / 1	0.1 / 1	0.1 / 1
Repeatability (sd) [g]	0.001	0.01	0.01	0.1	0.1	0.1
Linearity [g]	0.002	0.02	0.02	0.2	0.2	0.2
Housing size	Small	Small	Small	Small	Large	Large
Platform size [mm]	160x130	160x130	160x130	240x200	350x240	350x240
Ingress Protection: Standard/Optional	IP54 / -	IP54 / -	IP54 / -	IP54 / IP65	IP54 / IP65	IP54 / IP65
Weight of scale [kg]	5.7	5.7	5.7	5.7	9	9

For best performance: Strain gauge technology

- Approved resolution of 1 x 6000e OIML
- Non-approved resolution up to 60 000d

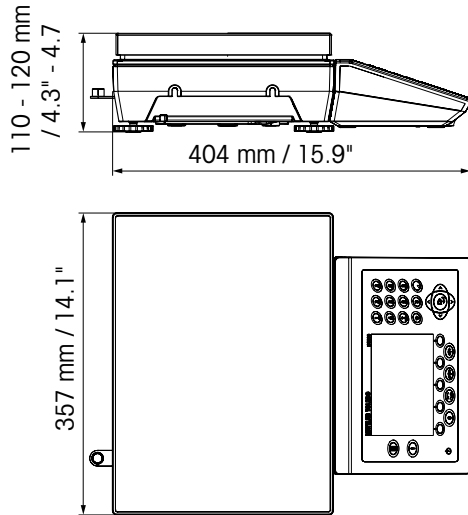
ICS425d-/ICS435d-/ICS445d-/ICS465d-/ICS685d-					
Model	3SM/f	6SM/f	15LA/f	35LA/f	PBD655
Capacity [kg]	3	6	15	35	for higher capacities from 6 - 600 kg, 1 x 6000e see brochure PBD655 Digital Weighing Platform
Standard readability [g]	0.5	1	2	5	
Optional readability [g]	0.05	0.1	0.2	0.5	
Approved readability [g]	0.5	1	2	5	
Repeatability (sd) [g]	0.05	0.1	0.2	0.5	
Linearity [g]	0.1	0.2	0.5	1	
Housing size	Small	Small	Large	Large	240 x 300 mm - 600 x 800 mm
Platform size [mm]	240x200	240x200	350x240	350x240	
Ingress Protection: Standard/Optional	IP54 / IP65	IP54 / IP65	IP54 / IP65	IP54 / IP65	IP65 / -
Weight of scale [kg]	5.5	5.5	7.7	7.7	-

Compact Scale with Small Platform

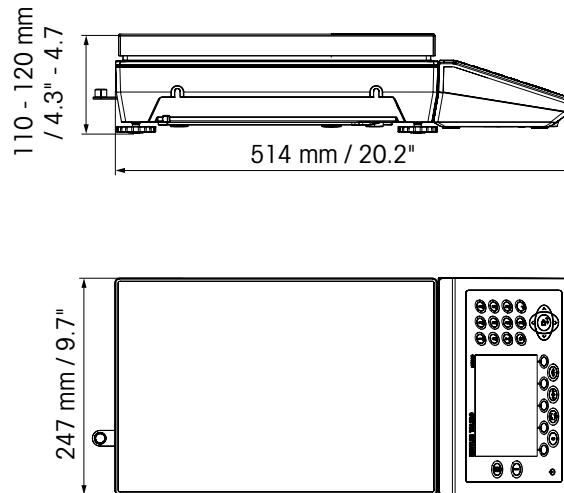


Compact Scale with Large Platform

The terminal is tightly mounted with two screws (wrench size 10 mm) on the platform.

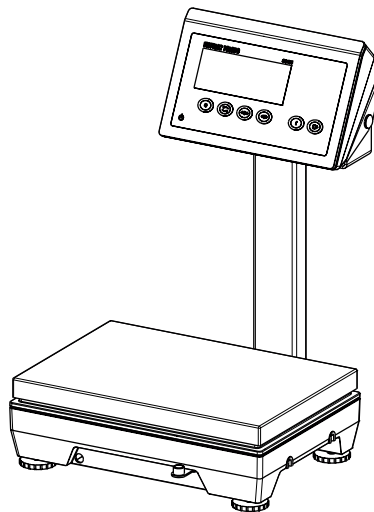


The terminal can be mounted on the longer and the shorter side of the platform or just placed next to the platform or mounted to the wall.



Accessories

- Cable with plugs for the offered interfaces
- Column (height 330 mm)
- Wall bracket
- Windshield
- Printers (Sprinter; P25; P26)
- Cover for terminal
- Battery charger
- Auxiliary display
- Relay box
- Power supply with 9-28V DC



Model with accessory column (height: 330 mm)

METTLER TOLEDO Service

Mettler-Toledo AG

CH-8606 Greifensee
Switzerland
Phone +41 44 944 22 11
Fax +41 44 944 30 60



ISO/IEC17025 Accredited
Service Organizations
Results, not promises.

www.mt.com

For more information

Subject to technical changes
© 05/2012 Mettler-Toledo AG
Printed in Switzerland
MarCom Industrial
MTSI 22023426