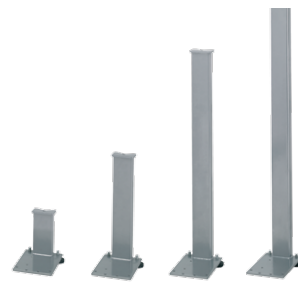
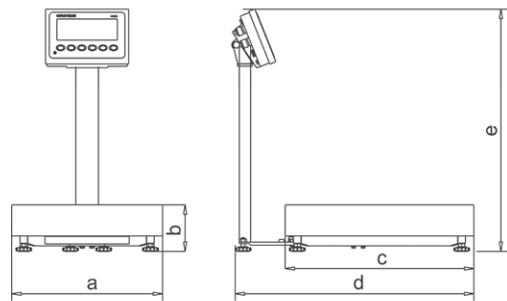


## Accessories (Stainless Steel)

| Stands                    | Order number |
|---------------------------|--------------|
| Heights 120 mm / 4.7"     | 72 229 393   |
| Heights 330 mm / 13"      | 72 198 702   |
| Heights 660 mm / 26"      | 72 198 703   |
| Heights 900 mm / 35.4"    | 72 198 704   |
| <b>Desk mount bracket</b> |              |
| For IND236                | 22021070     |



## Dimensions



| BBA236<br>Dimension in mm/" | a     | b    | c     | d     | e     |
|-----------------------------|-------|------|-------|-------|-------|
| BBA236-4A... mm             | 240   | 86   | 300   | 434.5 | 487   |
| "                           | 9,45  | 3,39 | 11,81 | 17,11 | 19,17 |
| BBA236-4BB... mm            | 300   | 97   | 400   | 531   | 487   |
| "                           | 11,8  | 3,82 | 15,75 | 20,91 | 19,17 |
| BBA236-4B... mm             | 400   | 123  | 500   | 631   | 807   |
| "                           | 15,75 | 4,84 | 19,69 | 24,84 | 31,77 |

## Construction per size



**A** 240 x 300 mm / 9.5" x 11.8"



**BB** 300 x 400 mm / 11.8" x 15.7"  
**B** 400 x 500 mm / 15.7" x 19.7"

# Bench Scale



## BBA236 Bench Scale

- Stainless-steel construction
- Capacities from 3 to 150 kg
- OIML and NTEP approved
- Easy operation, low maintenance
- Large, bright display



**Durable, Reliable, Economical**  
for Your Demanding Applications

[www.mt.com/BBA236](http://www.mt.com/BBA236)

For more information

**USA**  
Mettler-Toledo, Inc.  
1900 Polaris Parkway  
Columbus, OH, 43240  
Tel. (1) 800 523 5123

**Canada**  
Mettler-Toledo, Inc.  
2915 Argenta Road, Unit 6  
Mississauga, Ontario, L5N 8G6  
Tel. (1) 800 523 5123

**Rest of World**  
Mettler-Toledo AG  
Sales International  
CH-8606 Greifensee  
Switzerland  
Tel. +41 44 944 22 11

Subject to technical changes  
© 04/2013 Mettler-Toledo AG  
Printed in the USA  
MarCom Industrial  
MTSI 30086842



**METTLER TOLEDO**

# The Economical Solution for Challenging Industrial Environments

The BBA236 stainless-steel scale is a robust and cost-effective scale for versatile use in any dry and short-time wet industrial environment.

As a true one-for-all solution, the BBA236 is designed for a wide range of weighing tasks. It is a cost-effective choice for out-of-the-box straight weighing, over/under checkweighing, counting with average piece-weight optimization, totalizing and animal-weighing applications.

The simple and convenient menu configuration and the straightforward and intuitive setup of a multitude of different available functions makes the BBA236 easy to use. It requires minimal operator training and measurably improves production efficiency.

The BBA236 terminal includes an RS232 interface allowing for communication to a printer or PC. Its stainless-steel enclosure was designed to be both stylish and functional.

## Technical specifications

|                              |  |                           |  |
|------------------------------|--|---------------------------|--|
| <b>Display</b>               | 7-digit, 7-segment LCD display with white backlight<br>Heights: 60mm/2.36"<br>Stabilization time <1 sec. | <b>Ingress Protection</b> | Terminal: IP66/IP67<br>Platform/Load cell: IP65  |
| <b>Approvable resolution</b> | OIML Class III, 3000e / NTEP 5000d   | <b>Material</b>           | Terminal Housing: Stainless steel AISI304<br>Platform Frame: Stainless steel AISI304<br>Load Plate & Column: Stainless steel AISI304 |
| <b>Resolution typ.</b>       | 15000d   | <b>Load Cell</b>          | Aluminium, Potted  |
| <b>Power Supply</b>          | 85...264 VAC, 50/60 Hz   | <b>Applications</b>       | Straight weighing, over/under checkweighing, counting, totalizing, animal weighing   |
| <b>Units of measure</b>      | kg, lb, g, oz  | <b>Features:</b>          | Date & Time (RTC), x10, Print, Unit Switch, Target storage   |
| <b>Data Interface</b>        | RS232  |                           |  |

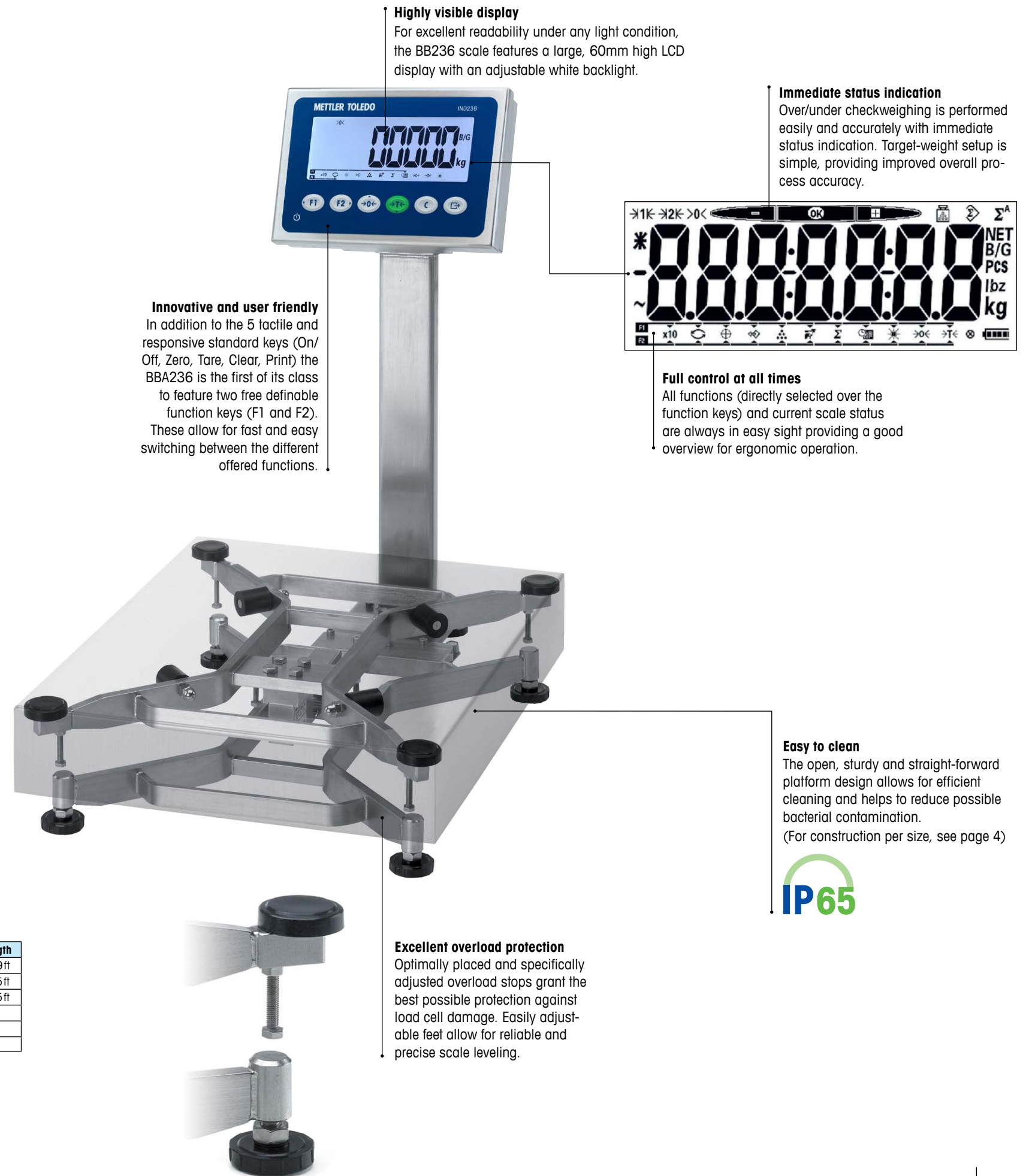
## Standard configurations

| Model  | Platform size             | Maximum weighing capacity |                |                |                |                |                 | Cable length   |
|--|---------------------------|---------------------------|----------------|----------------|----------------|----------------|-----------------|----------------|
| BBA236-4A                                      | 240 x 300 mm / 9.5" x 12" | 3 kg / 5 lb               | 6 kg / 10 lb   | 15 kg / 25 lb  |                |                |                 | 1.8 m / 5.9 ft |
| BBA236-4BB                                     | 300 x 400 mm / 12" x 16"  |                           |                |                | 30 kg / 50 lb  | 60 kg / 100 lb |                 | 2.3 m / 7.5 ft |
| BBA236-4B                                      | 400 x 500 mm / 16" x 20"  |                           |                |                | 30 kg / 50 lb  | 60 kg / 100 lb | 150 kg / 250 lb | 2.3 m / 7.5 ft |
| <b>Approvable resolution 1x3000e / 1x5000d</b> |                           |                           |                |                |                |                |                 |                |
| Approvable readability                         |                           | 1 g / 0.001 lb            | 2 g / 0.002 lb | 5 g / 0.005 lb | 10 g / 0.01 lb | 20 g / 0.02 lb | 50 g / 0.05 lb  |                |
| Min. capacity (approved scales only)           |                           | 20 g / 0.02 lb            | 40 g / 0.04 lb | 100 g / 0.1 lb | 200 g / 0.2 lb | 400 g / 0.4 lb | 1 kg / 1 lb     |                |

Model designation example:  
Size 240 x 300mm / 6 kg: BBA236-4A6

Zero-setting range = 2% of max. capacity  
Nominal temp. range = -10°C to +40°C / 14°F to 104°F

Zero capture range = 18% of max. capacity  
Subtractive tare range: >0 to max. capacity



### Highly visible display

For excellent readability under any light condition, the BBA236 scale features a large, 60mm high LCD display with an adjustable white backlight.

### Immediate status indication

Over/under checkweighing is performed easily and accurately with immediate status indication. Target-weight setup is simple, providing improved overall process accuracy.

### Innovative and user friendly

In addition to the 5 tactile and responsive standard keys (On/Off, Zero, Tare, Clear, Print) the BBA236 is the first of its class to feature two free definable function keys (F1 and F2). These allow for fast and easy switching between the different offered functions.

### Full control at all times

All functions (directly selected over the function keys) and current scale status are always in easy sight providing a good overview for ergonomic operation.

### Easy to clean

The open, sturdy and straight-forward platform design allows for efficient cleaning and helps to reduce possible bacterial contamination. (For construction per size, see page 4)



### Excellent overload protection

Optimally placed and specifically adjusted overload stops grant the best possible protection against load cell damage. Easily adjustable feet allow for reliable and precise scale leveling.